

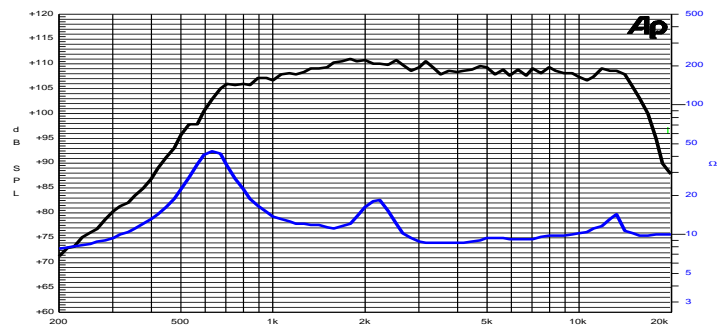
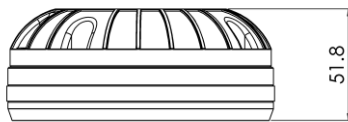
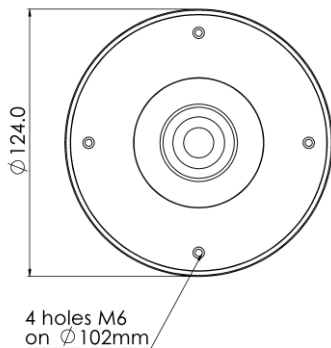
CD 124.75/N353 8Ω

Compression Driver

3" | 220 W

Code Z009512

- AIFW** 3" voice coil Kapton former and Aluminium Flat Wire
- TD** Titanium diaphragm
- CDR** Neodymium Magnet Circuit with Copper Demodulating Ring
- 1,4" horn throath diameter
- 108.4 dB sensitivity



General Specifications

Nominal Diameter	124 mm
Nominal Impedance	8 Ω
Rated Power AES ⁽¹⁾ (1200 – 20000 Hz)	110 W
Continuous Program Power ⁽²⁾	220 W
Sensitivity @ 1W/1m ⁽³⁾	108.4 dB
Voice Coil Diameter	75 mm (3")
Voice Coil Winding Depth	3.0 mm
Magnetic Gap Depth	3.0 mm
Flux Density	2.10 T
DC Resistance	5.8 Ω
Resonance Frequency	0.65 kHz
Magnet Weight	353 g
Net Weight	2.1 kg
Recommended Crossover Frequency ⁽⁴⁾	1.2 kHz
Throat Diameter	36 mm / 1.4 in

Constructive Characteristics

Magnet	Neodymium
Voice Coil Winding Material	Aluminium Flat Wire
Voice Coil Former Material	Kapton
Diaphragm	Titanium
Ferrofluid in Air Gap	No
Spare Part Code	

Mounting Information

Overall Diameter	124 mm
Mounting Holes	4 holes M6 on \varnothing 102 mm
Total Depth	52.7 mm

(1) Rated Power measured with 2-hour test with pink noise signal, 6dB crest factor, driver coupled to the recommended horn. (2) Power on Continuous Program is defined as 3dB greater than the Rated Power. (3) Measured at 1W,1m in axis within the frequency range, driver coupled to the recommended horn. (4) Minimum crossover frequency, 12dB/oct or higher order high-pass filter.

Due to continuing product improvement, the features and the design are subject to change without notice.